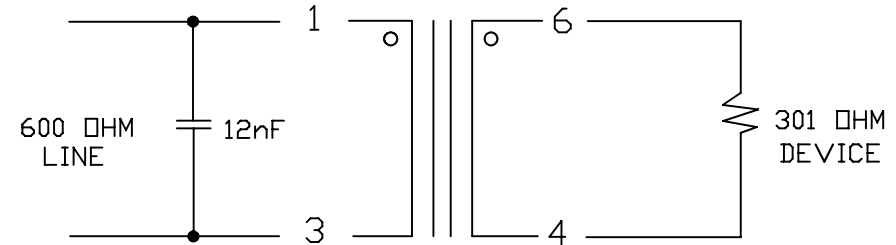
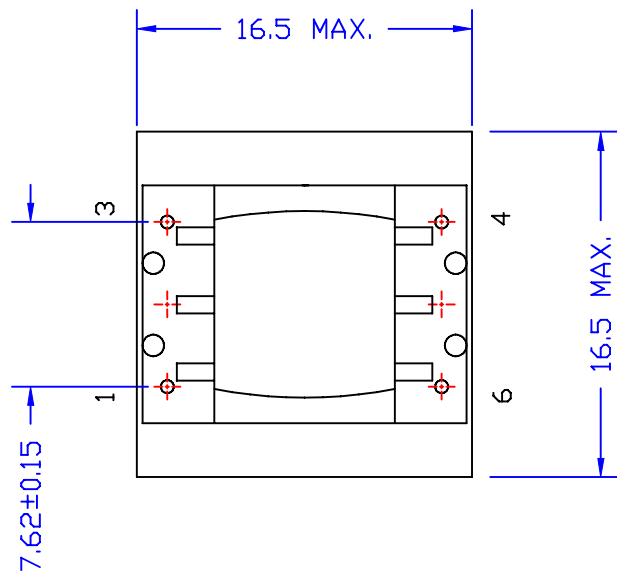
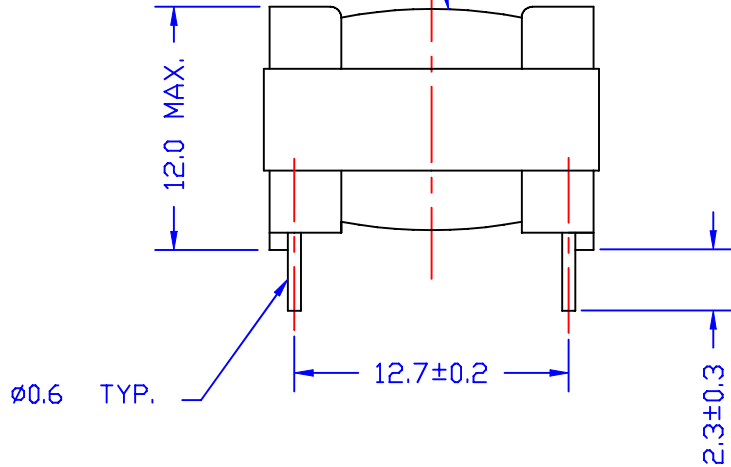


BLACK DOT PIN#1

Atech
ATS-256



OPTIMUM CLASS (B) 600 OHM MATCH

ELECTRICAL CHARACTERISTICS :

- DCR : PIN 1-3 = 150 OHM ±10%.
PIN 4-6 = 150 OHM ±10%.
- INDUCTANCE (@1KHz/0.1Vrms) :
PIN 1-3 = 7.2 H MIN.
- INSERTION LOSS :
(@1KHz, 0dBm) = 3 dB ±0.3dB.
- FREQ. RESPONSE (REF. 1KHz) :
@200Hz = ±0.2dB
@4KHz = ±0.2dB.
- RETURN LOSS (REF. 600 OHM) :
@200 Hz = 30 dB MIN.
@4 KHz = 30 dB MIN.
- TURN RATIO (@1KHz, 0.1 Vrms) :
PIN 1-3:6-4 = 1 ±1%.
- HI-POT (@1250VAC, 1mA, 2SEC) :
PRI-SEC
- RoHS COMPLIANT

					Atech®		TITLE TRANSFORMER	
					Atech Technology Co., Ltd.		DWG. NO. ATS-256CR	
					TEL:(02)2794-6667 FAX:(02)2794-8004			
					UNITS:		SAFETY	
					DATE		SHEET 1 OF 1	
					DRAW			
REVISIONS								
NO.	DESCRIPTION	DATE	BY	CHK	APPD			